

**PLEASE CHECK WWW.MOLEX.COM FOR LATEST PART INFORMATION**

**Part Number:** **0194280016**  
**Status:** **Active**  
**Description:** 5.84mm (.230") Pitch MX150L™ Vertical PCB Header, Dual Row, Low Profile, 16 Circuits

**Documents:**

[3D Model](#) [Product Specification PS-19427-001 \(PDF\)](#)  
[Drawing \(PDF\)](#) [RoHS Certificate of Compliance \(PDF\)](#)

**Agency Certification**

UL E152602

**General**

Product Family PCB Headers  
 Series [19428](#)  
 Application Wire-to-Board  
 Comments Low Profile  
 Product Literature Order No 987650-2181  
 Product Name MX150L™

**Physical**

Breakaway No  
 Circuits (Loaded) 16  
 Circuits (maximum) 16  
 Durability (mating cycles max) 25  
 Flammability 94V-0  
 Glow-Wire Compliant No  
 Lock to Mating Part Yes  
 Material - Plating Mating Tin  
 Material - Plating Termination Tin  
 Number of Rows 2  
 Orientation Vertical  
 PC Tail Length (in) 0.130 In  
 PC Tail Length (mm) 3.30 mm  
 PCB Locator Yes  
 PCB Retention Yes  
 PCB Thickness Recommended (in) 0.062 In  
 PCB Thickness Recommended (mm) 1.60 mm  
 Packaging Type Tray  
 Pitch - Mating Interface (in) 0.230 In  
 Pitch - Mating Interface (mm) 5.84 mm  
 Polarized to Mating Part Yes  
 Polarized to PCB Yes  
 Shrouded Fully  
 Stackable No  
 Surface Mount Compatible (SMC) No  
 Temperature Range - Operating -40°C to +125°C  
 Termination Interface: Style Through Hole

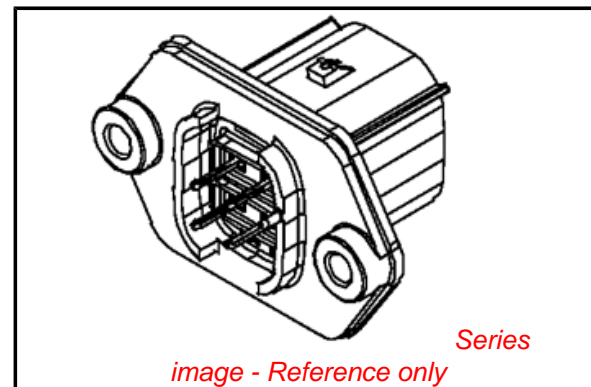
**Electrical**

Current - Maximum per Contact 18A  
 Voltage - Maximum 600V

**Material Info**

**Reference - Drawing Numbers**

Product Specification PS-19427-001



**EU RoHS**

**ELV and RoHS Compliant**  
**REACH SVHC**  
 Not Reviewed  
**Halogen-Free Status**  
 Not Reviewed

**China RoHS**



**Need more information on product environmental compliance?**

Email [productcompliance@molex.com](mailto:productcompliance@molex.com)  
 For a multiple part number RoHS Certificate of Compliance, [click here](#)

Please visit the [Contact Us](#) section for any non-product compliance questions.

**Search Parts in this Series**

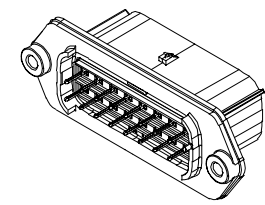
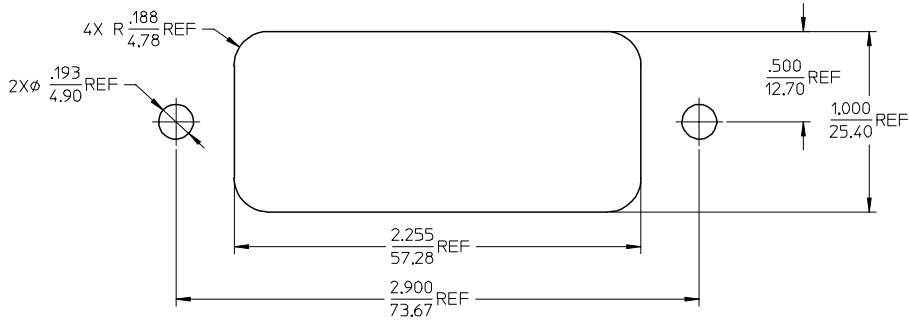
[19428Series](#)

**Mates With**

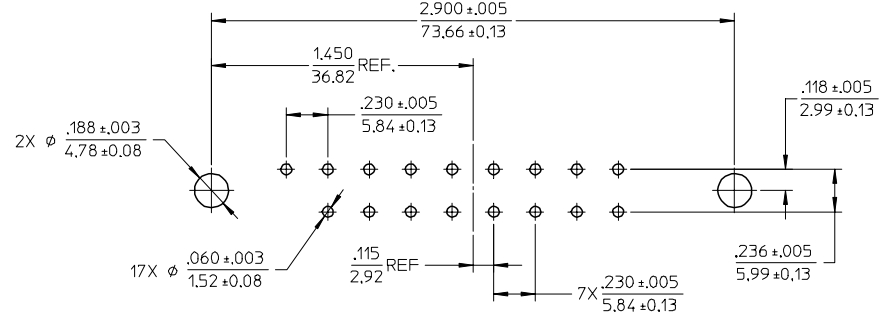
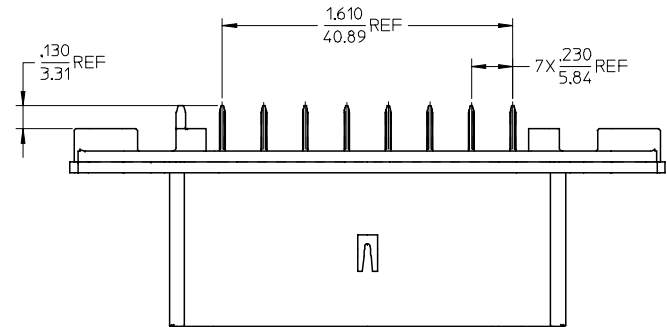
[19418 Receptacle Assemblies](#)

This document was generated on 04/05/2010

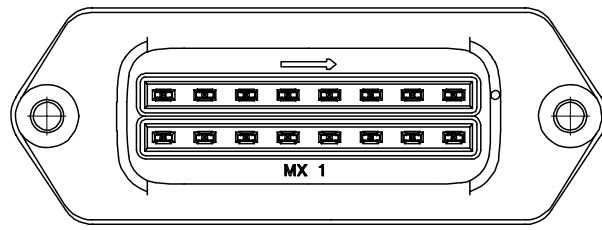
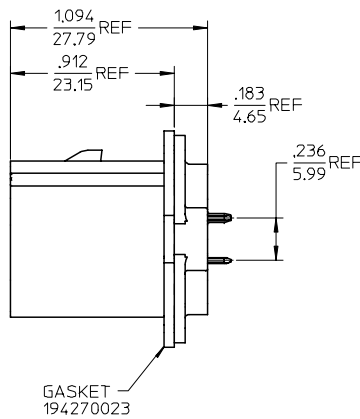
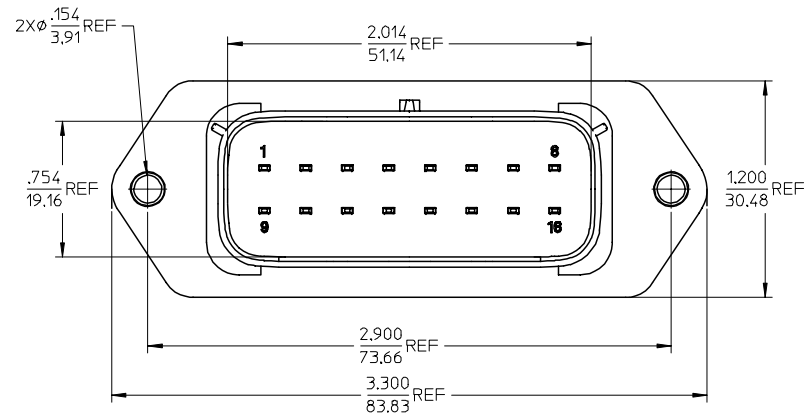
**PLEASE CHECK [WWW.MOLEX.COM](http://WWW.MOLEX.COM) FOR LATEST PART INFORMATION**



RECOMMENDED PANEL CUTOUT  
MAX PANEL THICKNESS .080/2.03



RECOMMENDED PCB LAYOUT  
COMPONENT VIEW  
TOLERANCES ARE NON-ACCUMULATIVE



MATERIAL NUMBER	TERMINAL PLATING
194280016	TIN
194280032	SELECT GOLD/TIN

- NOTES:
- MATERIALS:  
HOUSING: POLYESTER (PBT), GLASS FILLED, UL94 V-0,  
COLOR: BLACK  
TERMINALS: COPPER ALLOY
  - FINISHES: 1. TIN ONLY: 100µIN TIN OVER 50µN NICKEL  
2. TIN/GOLD: 30µN SELECT GOLD (CONTACT MATING AREA),  
100µN SELECT TIN (PCB TAIL AREA) OVER 50µN NICKEL OVERALL.
  - PRODUCT SPECIFICATION: PS-19428-001.
  - PACKAGING SPECIFICATION: PK-19428-002.
  - MATES WITH: 19418 SERIES RECEPTACLE ASSEMBLIES.

<b>PRODUCTION RELEASE</b> EC NO: ETC2005-0213 DRAWN: JPAMLCK 2005/06/10 CHKD: JPAMLCK 2005/06/14 APPR: RDEROSS 2005/06/14	QUALITY SYMBOLS 	GENERAL TOLERANCES (UNLESS SPECIFIED)		DIMENSION STYLE IN/MM		SCALE 2:1	DESIGN UNITS INCH	THIRD ANGLE PROJECTION	
		4 PLACES ± --- ± --- 3 PLACES ± --- ± .015 2 PLACES ± 0.38 ± --- 1 PLACE ± --- ± --- ANGULAR ± 1°	DRAWN BY BRUPERT DATE 04/06/16	CHECKED BY JPAWLICK DATE 04/06/16	TITLE <b>16-WAY STRAIGHT HEADER ASSEMBLY, SHORT VERSION</b>				
		APPROVED BY RDEROSS DATE 04/06/16			MATERIAL NO. <b>SEE CHART</b>			DOCUMENT NO. <b>SD-19428-008</b>	SHEET NO. 1 OF 1
		DRAFT WHERE APPLICABLE MUST REMAIN WITHIN DIMENSIONS			THIS DRAWING CONTAINS INFORMATION THAT IS PROPRIETARY TO MOLEX INCORPORATED AND SHOULD NOT BE USED WITHOUT WRITTEN PERMISSION			MOLEX INCORPORATED	